



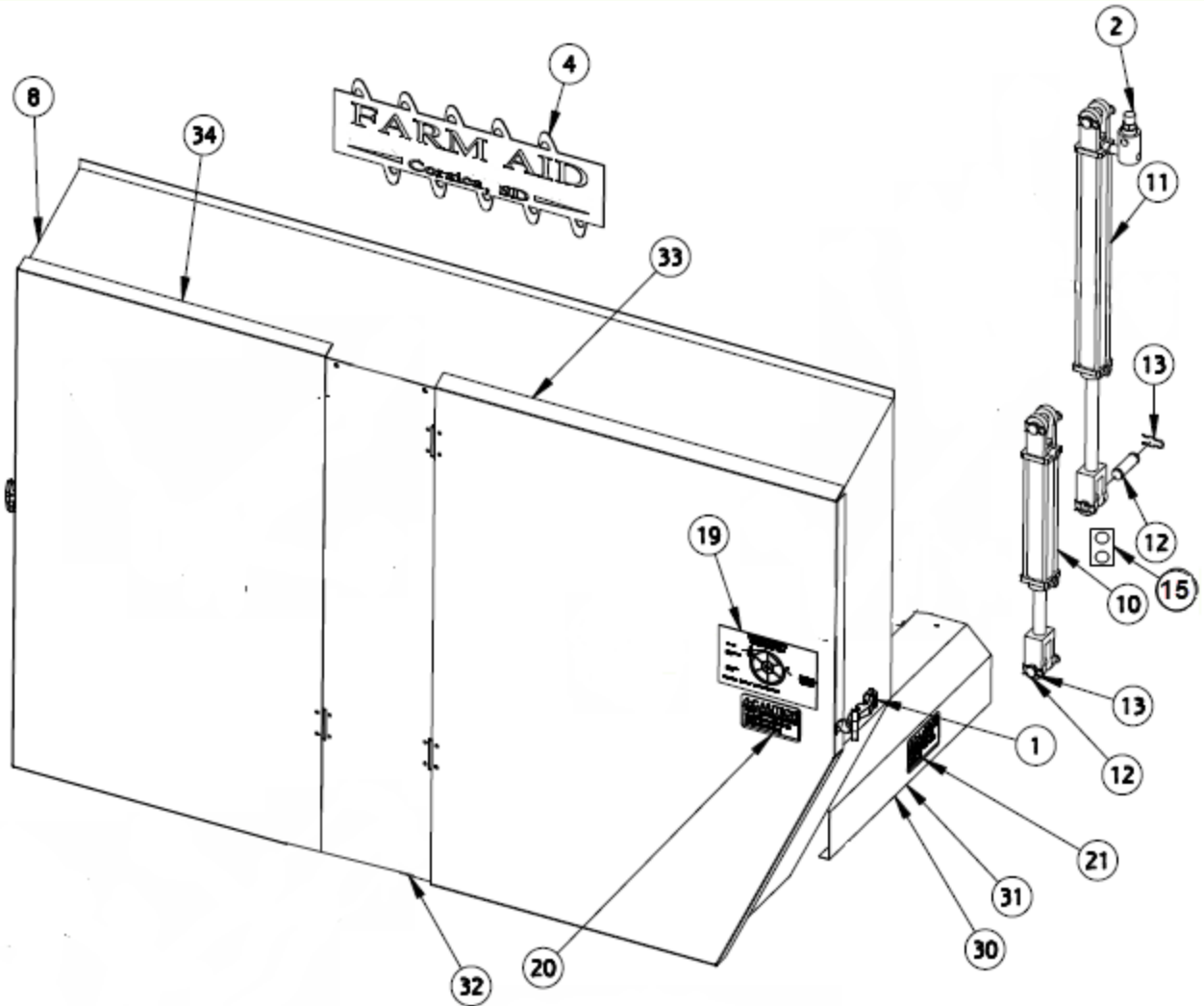
340/430 Truck Mount

Parts Manual



# Table Of Contents

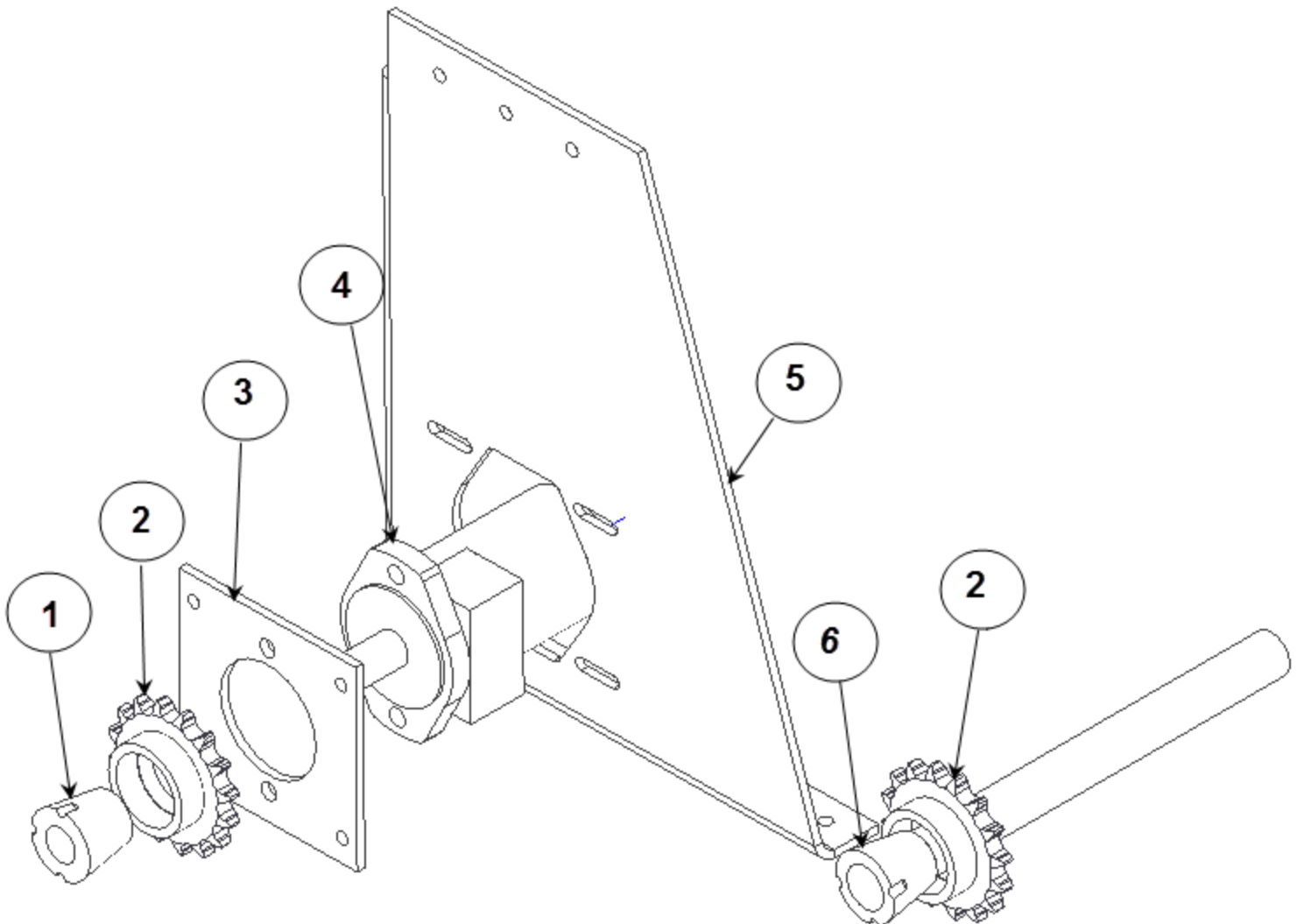
Page	Content
1	EXTERNAL BACK ILLUSTRATION
2	EXTERNAL BACK
3	MAIN HYDRAULIC DRIVE
4	BOTTOM REAR PTO DRIVE ASSEMBLY
5	REAR SPEED REDUCTION & TUMBLER DRIVE ILLUSTRATION
6	REAR SPEED REDUCTION & TUMBLER DRIVE PARTS
7	AUGER DRIVE ILLUSTRATION, TRUCK
8	AUGER & ELEVATOR DRIVE PARTS, TRUCK
9	ELEVATOR PARTS ILLUSTRATION
10	ELEVATOR PARTS
11	TUMBLER FRONT DRIVE ILLUSTRATION
12	TUMBLER FRONT DRIVE PARTS
13	EXTERNAL PARTS FRONT ILLUSTRATION
14	EXTERNAL PARTS FRONT PARTS
15	REEL ASSEMBLY
16	KICKER
17	REEL FACE, SUPPORT, AND SWEEP BELT
18	POLY LINERS



**Not Shown:**

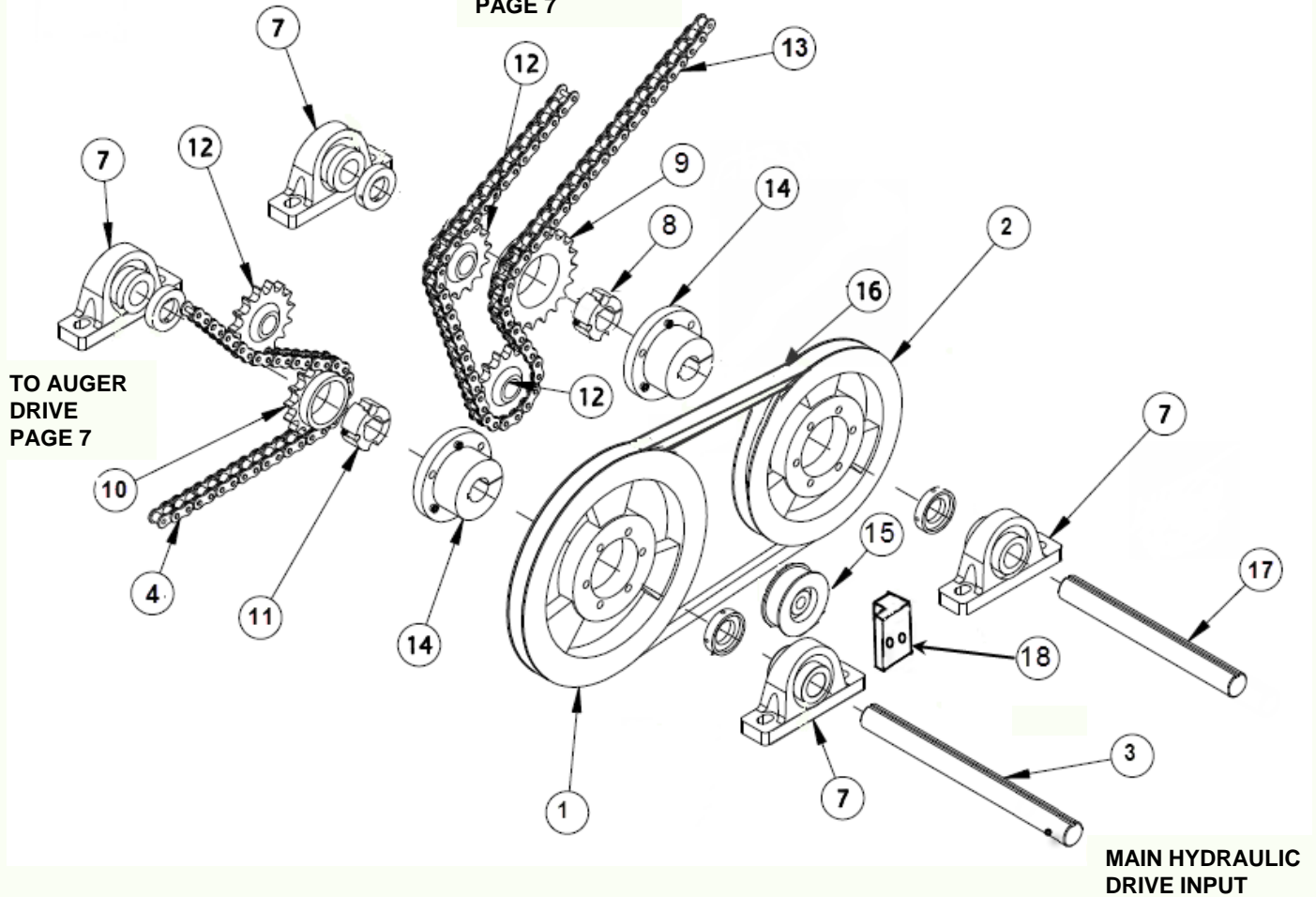
**FA 810H HINGE FOR DOORS**

ITEM	P/N	DESCRIPTION
1	FA 001	SHIED TIE, COMPLETE (RUBBER TIE ONLY IS FA002)
2	FA 020A	BYPASS VALVE
4	TK 356	DECAL, FARM AID EQUIPMENT
	TK 356K	COMPLETE DECAL KIT
8	TK 810	TOP SHIELD, MODELS 340, & 430 SPECIFY RIGHT DISCHARGE
10	TK 20-14	HYD CYLINDER, 2.00 BORE X 14.0 STROKE
11	FA 20-24	HYD CYLINDER, 2.00 BORE X 24.0 STROKE
	FA 639572	CYLINDER SEAL KIT, ALL FARM AID CYLINDERS
12	FA 352P	CYLINDER PIN
13	FA 352PC	RETAINER, CYLINDER PIN
15	FTK 520	CYLINDER CONNECTOR
19	FA 355R	DECAL, FILL LEVEL
20	FA 358B	DECAL, "CAUTION: KEEP GUARD CLOSED WHEN MACHINE IS IN OPERATION"
21	FA 358C	DECAL, "CAUTION: DO NOT OPERATE WITHOUT GUARDS IN PLACE"
30	TK 580-3	GUARD, ELEVATOR DRIVE, MODEL 340 SPECIFY RIGHT OR LEFT DISCHARGE
31	TK 580-4	GUARD, ELEVATOR DRIVE, MODEL 430 SPECIFY RIGHT OR LEFT DISCHARGE
32	TK 810C	DOOR MOUNT PANEL
33	TK 810L	DOOR, ANGLE, SPECIFY RIGHT DISCHARGE
34	TK 810R	DOOR, SQUARE, SPECIFY RIGHT DISCHARGE

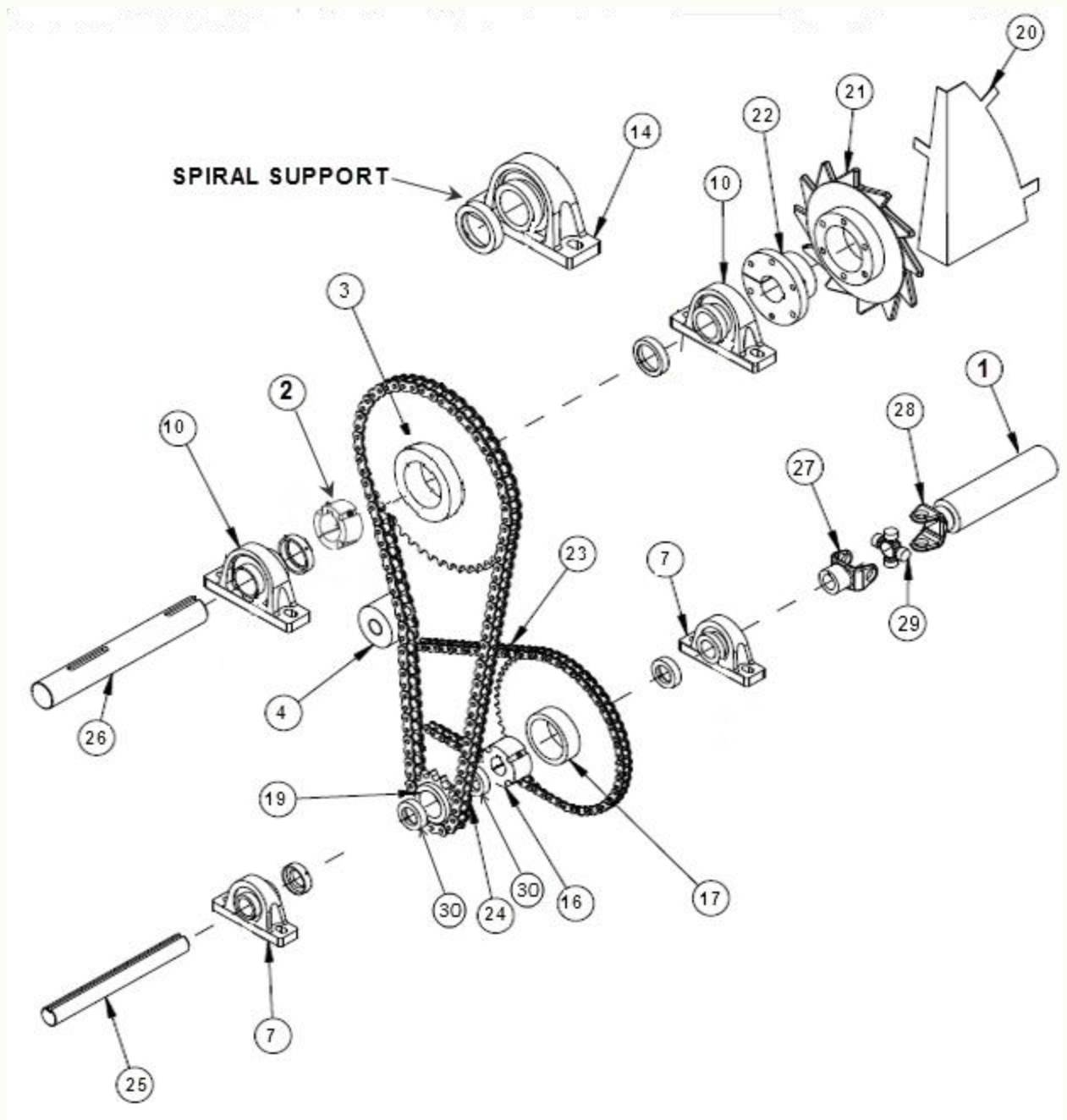


ITEM	P / N	DECSRIPTION
1	FA 202B	2012 TAPER LOCK BUSHING 1"
2	FA 202A	#60 20T SPROCKET
3	TK002-2	HYDRAULIC MOTOR MOUNT PLATE 430 6' X6'
4	TK900-M-FA	HYDRAULIC MOTOR FOR MAIN DRIVE 430
5	TK002-1	HYDRAULIC MOTOR MOUNT
6	FA 205B	2012 TAPE LOCK BUSHIUNG 1 ¼"

TO REEL DRIVE  
PAGE 7

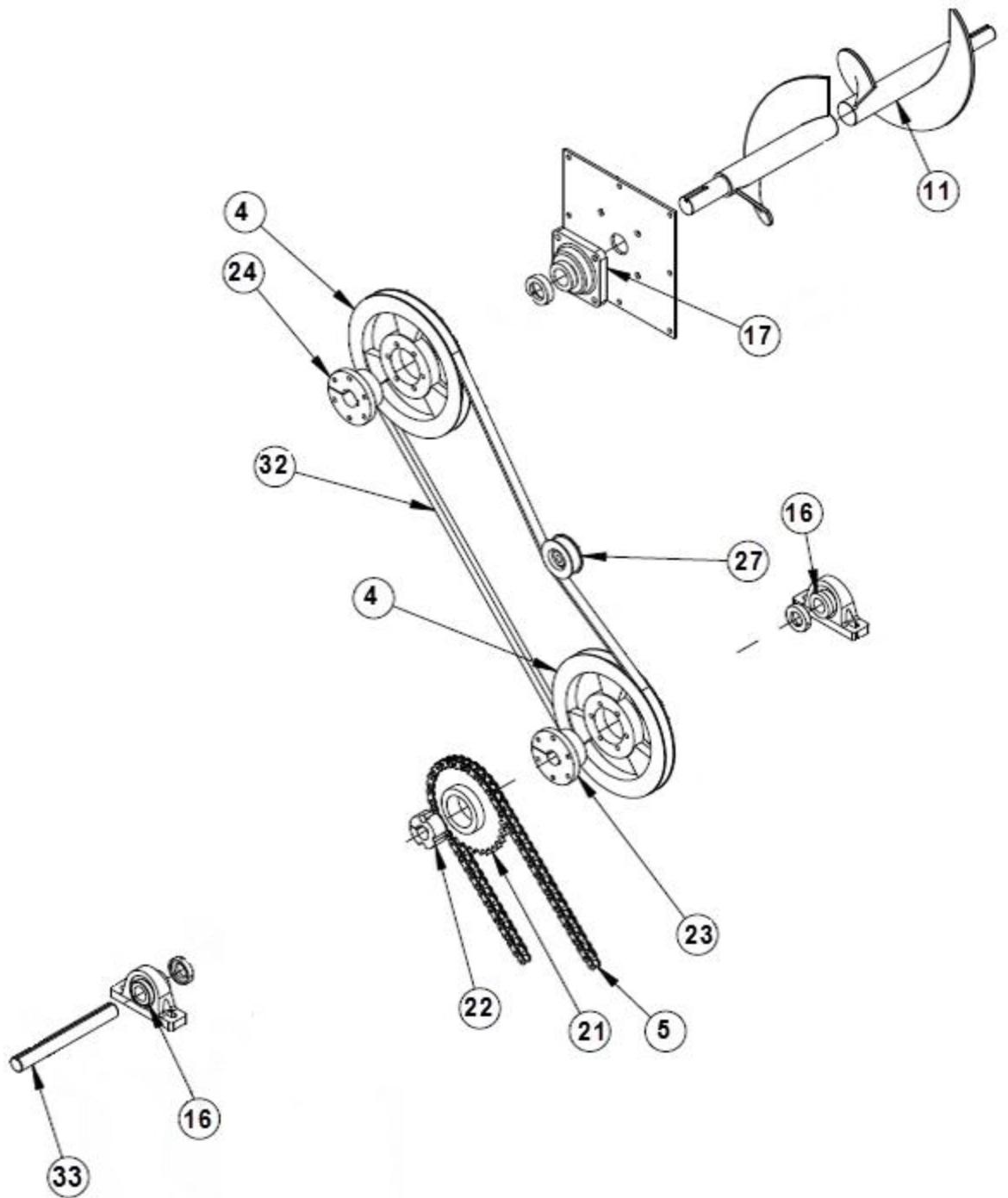


ITEM	P / N	DECSRIPTION
1	FA 310	1C 10" PULLEY
2	FA 312	1C 12" PULLEY
3	FA 401	PTO SHAFT, 1-1/4 X 13-1/2"
4	FA 313R	60 CHAIN, 75.75" (102 ROLLERS)
7	FA 101PB	PILLOW BLOCK, 1-1/4 W/BEARING
8	FA 201B	1610 TAPER LOCK BUSHING, 1-1/4"
9	FA 201M	6015 SPROCKET, 15T-60, TAPER LOCK
10	FA 202A	6020 SPROCKET, 20T-60, TAPER LOCK
11	FA 205B	2012 TAPER LOCK BUSHING, 1-1/4"
12	FA 210M	6015 IDLER SPROCKET, 15T-60
13	FA 214-60R	60 CHAIN 86.25" (116 ROLLERS)
14	FA 312B	QD-SF BUSHING, 1-1/4"
15	FA 330C	SINGLE IDLER PULLEY, C BELT
16	FA 360M	CX 60 BELT, MIXER DRIVE
17	FA 402A	SHAFT, 1-1/4" X 10-1/2"

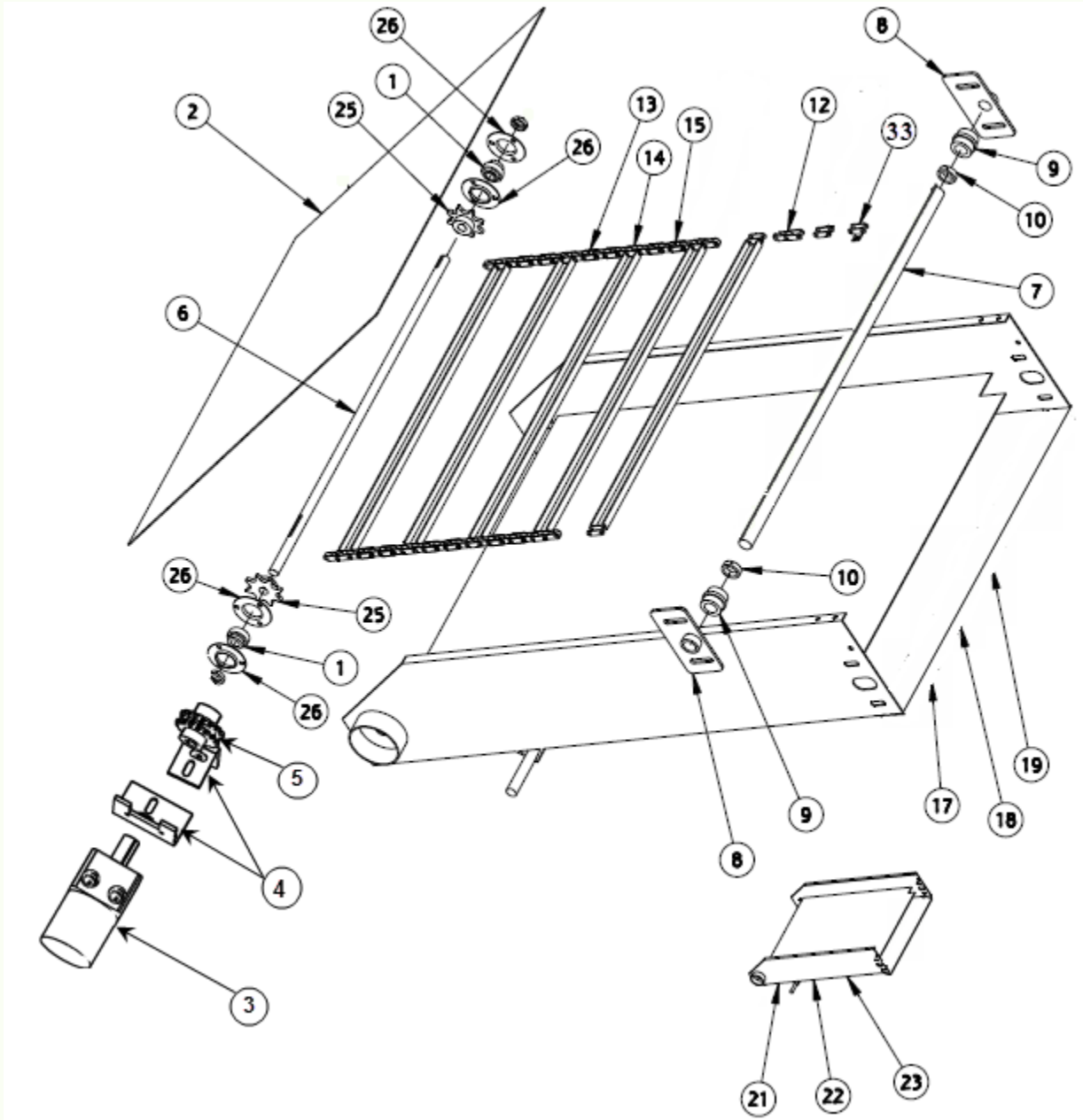




ITEM	P / N	DESCRIPTION
1	TK 406CU	COMPLETE DRIVE SHAFT WITH BOTH YOKES
2	FAC 245H	2517 TAPER-LOCK BUSHING, 2 3/16"
3	FAC 248	8048 SPROCKET, 48T-80, TAPER LOCK
4	FA 340	PLASTIC IDLER
7	FA 102PB	PILLOW BLOCK, 1-1/2 W/ BEARING
10	FA 103PB	PILLOW BLOCK, 2-3/16 W/ BEARING
14	TK 104PB	PILLOW BLOCK, 2 15/16 W/ BEARING (SPIRAL SUPPORT)
16	FA 206H	2517 TAPER LOCK BUSHING, 1-1/2
17	FA 206S	6054 SPROCKET, 54T-60, TAPER LOCK
19	FA 207S	KIT 8011 SPROCKET, 11T-80 INCLUDES TWO FA207LC (30)
20	FA 212-RSH	FRONT SPIDER SHIELD
21	FA 212R	FRONT SPIDER, (IT IS RECOMMENDED TO REPLACE THE MOUNTING BOLTS)
22	FA 212TH	E BUSHING, 2-3/16
	FA 212BLT	BOLT FOR SPIDER GEAR
23	FA 214-60R	60 CHAIN 86.25" (116 Rollers with connector link)
23	1000 RPM	60 CHAIN 89.25" (120 Rollers with connector link)
24	FA 214-80	80 CHAIN 81" (82 Rollers with connector link)
25	FA 403FS	SHAFT, 1-1/2 X 13"
26	FA 404FS	SHAFT, 2-3/16 X 14"
27	FA 406S	14 SERIES, 1-1/2 YOKE
28	FA 407S	14 SERIES, YOKE TUBE WELD
29	FA 408S	14 SERIES CROSS & BEARING KIT
30	FA207LC	LOCKING COLLAR



ITEM	P / N	DESCRIPTION
4	FA 312	1C 12.0 PULLEY
5	FA 313R	#60 CHAIN, 75.5" (102 ROLLERS)
11	FA 712	AUGER FOR MODEL 340, LEFT
11	FA 715	AUGER FOR MODEL 430, LEFT
	TK 714L	AUGER FLIGHTING LEFT SOLD BY FOOT, 13' NEEDED FOR A 430 (SPECIAL TRUCK PART)
	TK 714R	AUGER FLIGHTING RIGHT SOLD BY FOOT, 1/2' NEEDED FOR A 430 (SPECIAL TRUCK PART)
16	FA 101PB	PILLOW BLOCK, 1-1/4 W/ BEARING
17	FA 102FB-4	1- 1/2' 4 BOLT FLANGE BLOCK
21	FA 205A	6032 SPROCKET, 32T-60, TAPER LOCK
21	FA 205A-10 (1000 RPM)	6042 SPROCKET, 42-60 TAPER LOCK
22	FA 205B	2012 TAPER LOCK BUSHING, 1-1/4
23	FA 312B	SF BUSHING, 1-1/4
24	FA 312FA	SF BUSHING, 1-1/2
27	FA 330C	SINGLE IDLER PULLEY, C BELT
33	FA 402A	SHAFT, 1-1/4 X 10-1/2"



NOT SHOWN;

FA536ES ELEVATOR SADDLE (BOLTS TO TANK UNDER ELEVATOR)

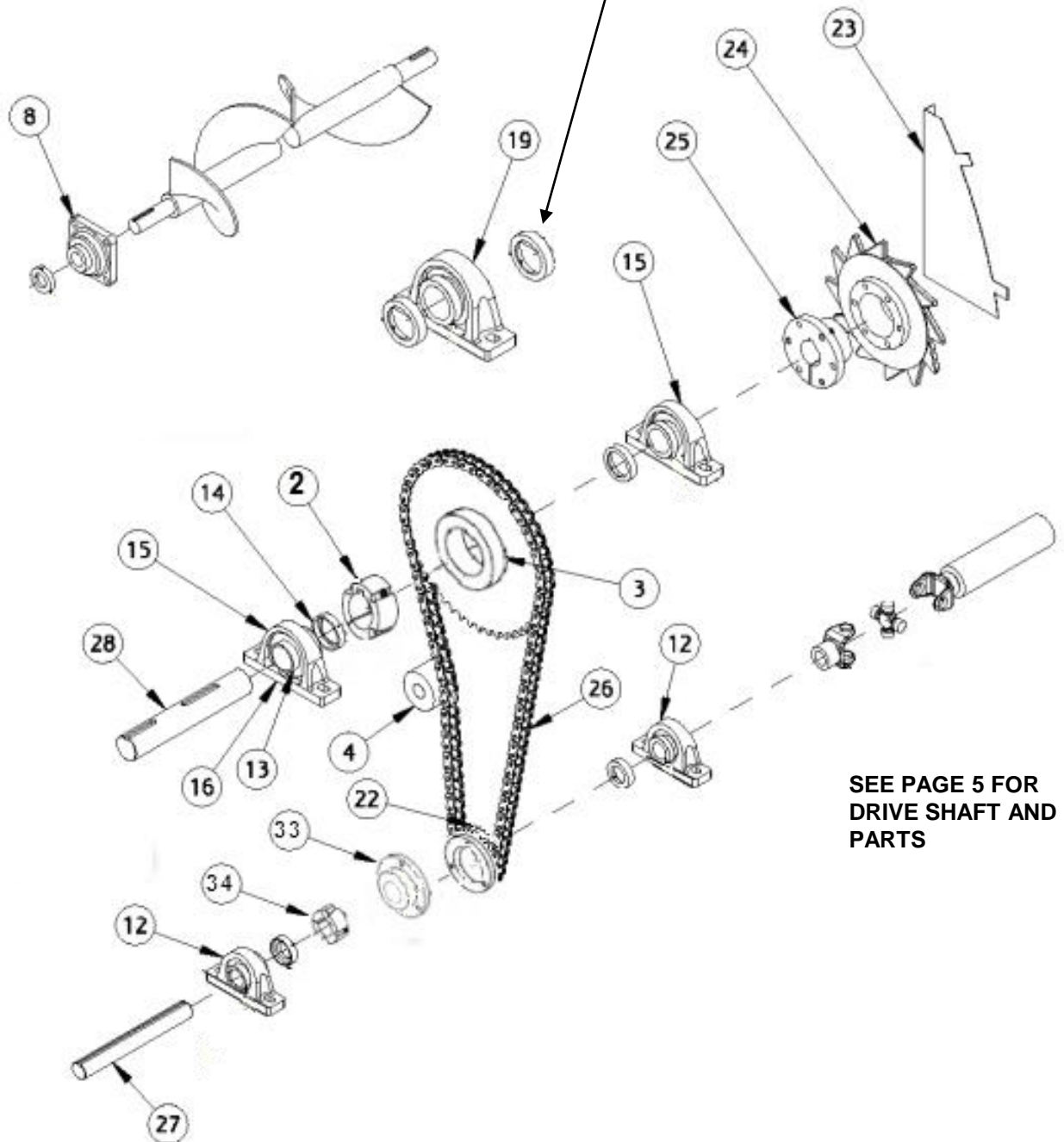
FA520EH ELEVATOR HOOD AND BRACKET

FA548 MAGNET KIT

ITEM	P / N	DESCRIPTION
1	FA 107	7/8" BEARING W/LOCKING COLAR
2	TK 350S	STEEL UNLOADING DOOR
3	TK509	HYDRAULLIC DRIVE FOR TRUCK MOUNT
4	FA518	PAIR OF BRACKETS NEEDED TO MOUNT THE HYDRAULIC MOTOR ON THE ELEVATOR.
5	FAC529A	SPROCKET COUPLER FOR MOTOR TO THE ELEVATOR SHAFT. CONTAINS BOTH SPROCKETS, CHAIN AND MASTER LINK.
6	FA 510	SHAFT, 7/8" X 41"
7	FA 511	SHAFT, 1" X 38"
8	TK 512	SHAFT MOUNTING PLATE, UPPER ELEVATOR
9	FA 513	ELEVATOR IDLER ROLL
10	FA 514	SET COLLAR, 1"
13	FA 523	COMPLETE CHAIN, 3 FT ELEVATOR
14	FA 524	COMPLETE CHAIN, 4 FT ELEVATOR
15	FA 525	COMPLETE CHAIN, 5 FT ELEVATOR
17	TK 533	ELEVATOR WELDMENT AND SPROCKETS, 3 FT ELEVATOR
18	TK 534	ELEVATOR WELDMENT AND SPROCKETS, 4 FT ELEVATOR
19	TK 535	ELEVATOR WELDMENT AND SPROCKETS, 5 FT ELEVATOR
21	TK 543	COMPLETE ELEVATOR, 3 FT
22	TK 544	COMPLETE ELEVATOR, 4 FT
23	TK 545	COMPLETE ELEVATOR, 5 FT
25	FA 762	762 SPROCKET, 7/8" BORE
26	FA 107-3F	52MS 3 BOLT FLANGETTE
33	FA 516A	LEFT/RIGHT HAND ATTACHMENT LINK
	TK 748F	MAGNET FRAME
	FA 748M	MAGNET

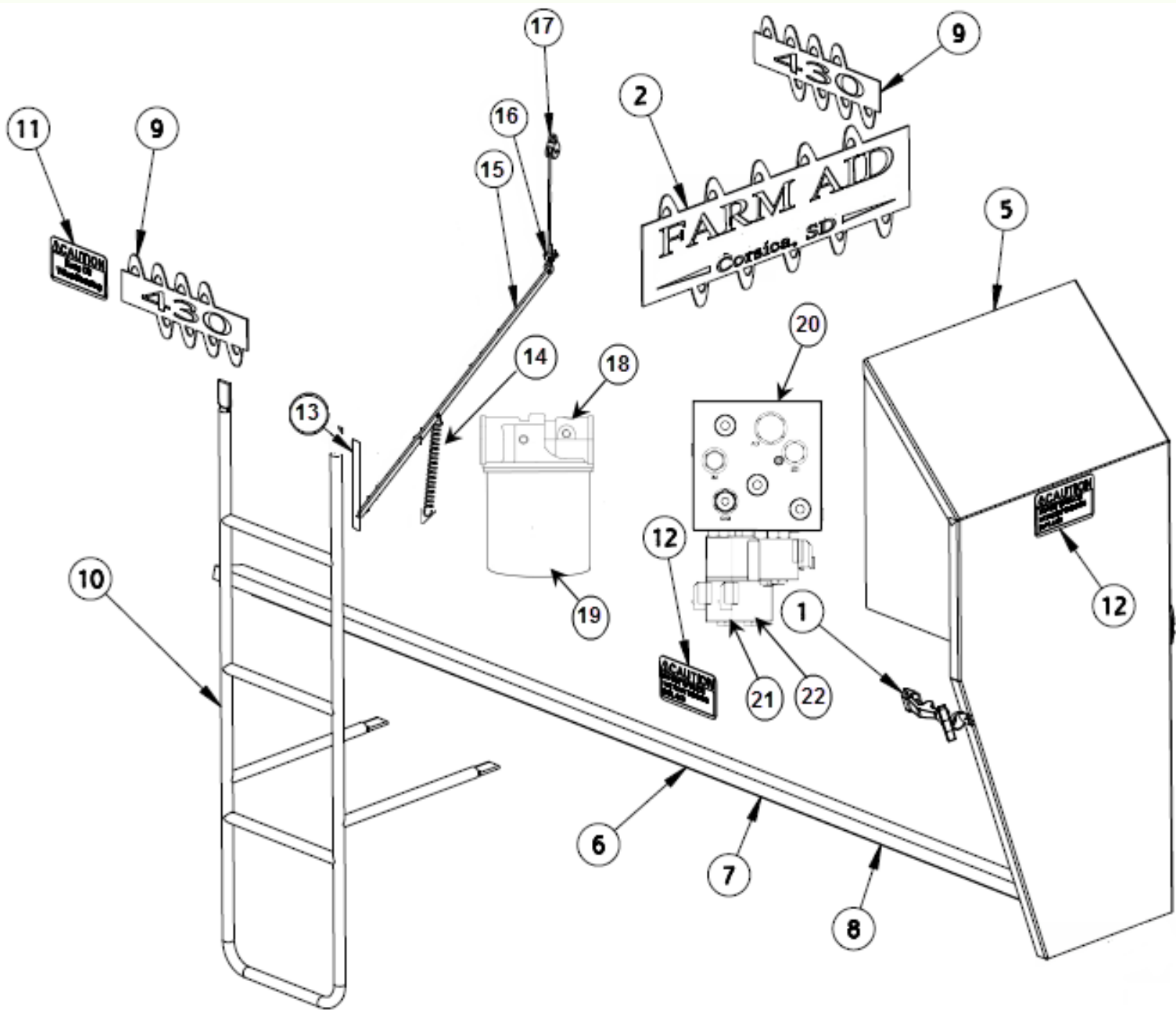
SEE PAGES 7 AND 8  
FOR AUGERS

SHIM FOR  
SPIRAL  
ENDPLAY,  
NOT SOLD



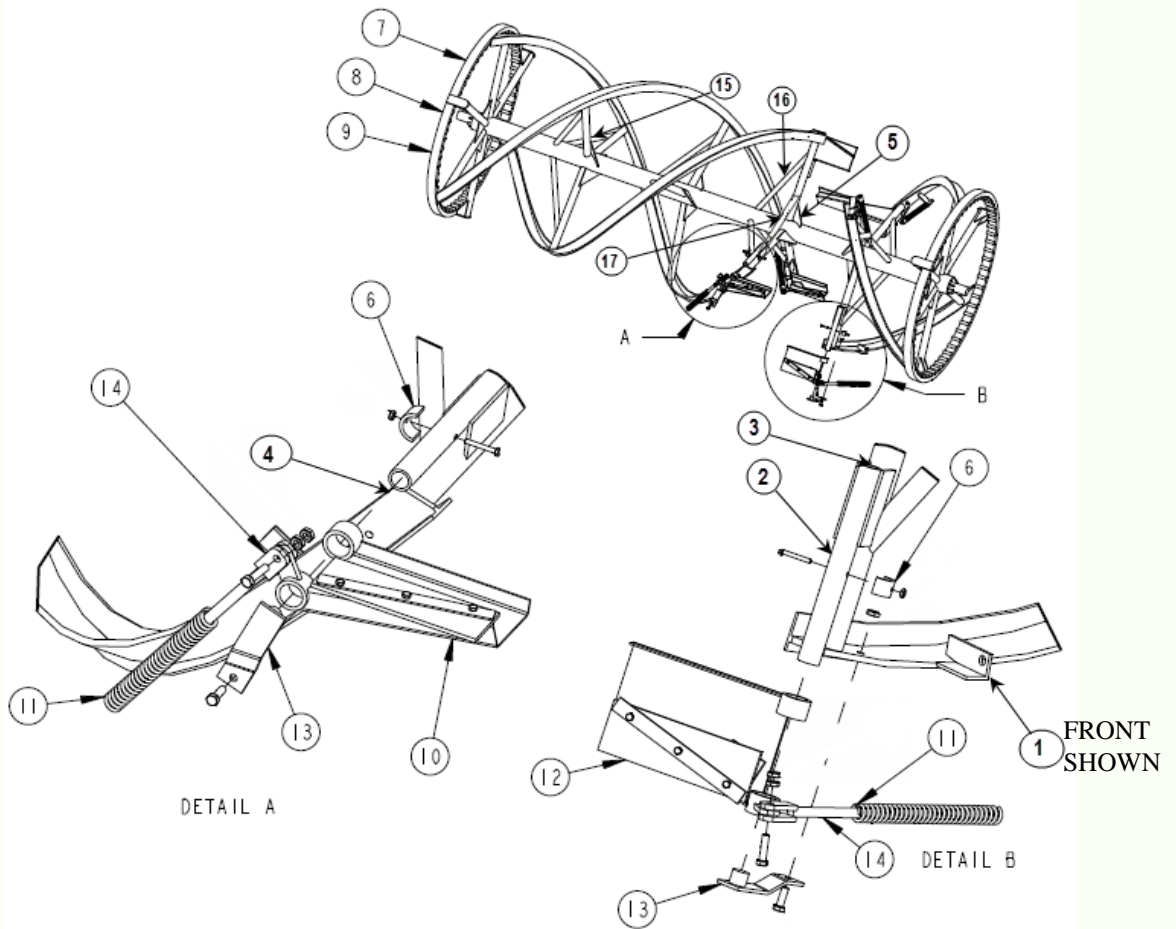
SEE PAGE 5 FOR  
DRIVE SHAFT AND  
PARTS

ITEM	P / N	DESCRIPTION
2	FAC 245H	BUSHING, 2517 TAPER-LOCK 2 3/16"
3	FAC 248	8048 SPROCKET, 48T-80, TAPER LOCK
4	FA 340	PLASTIC IDLER
8	FA 101FB-4	FLANGE BRG, 4 BOLT, 1-1/4 W/ LOCK COLLAR
12	FA 102PB	PILLOW BLOCK, 1-1/2 W/ BEARING
15	FA 103PB	PILLOW BLOCK, 2-3/16 W/ BEARING
19	TK 104PB	PILLOW BLOCK, 2-15/16 W/ BEARING (SPIRAL SUPPORT)
22	FA 207TS	8011 TIMING SPROCKET
23	FA 212FSH	SPIDER SHIELD
24	FA 212F	REAR SPIDER (IT IS RECOMMENDED TO REPLACE THE BOLTS AT THE SAME TIME, FA212BLT)
	FA 212BLT	BOLT FOR SPIDER GEARS 3 NEEDED
25	FA 212TH	E BUSHING, 2-3/16
26	FA 214-80	81" #80 CHAIN (82 ROLLERS)
27	FA 403BS	SHAFT, 1-1/2 X 12"
28	FA 404BF	SHAFT, 2-3/16 X 13"
29	FA 406S	14 SERIES, 1-1/2 YOKE
30	FA 407S	14 SERIES, YOKE TUBE WELD
31	FA 408S	14 SERIES CROSS & BEARING KIT
33	FA 207TP	8011 TIMING PLATE
34	FA 207H	2012 X 1-1/2 FOR 8011 TIMING PLATE



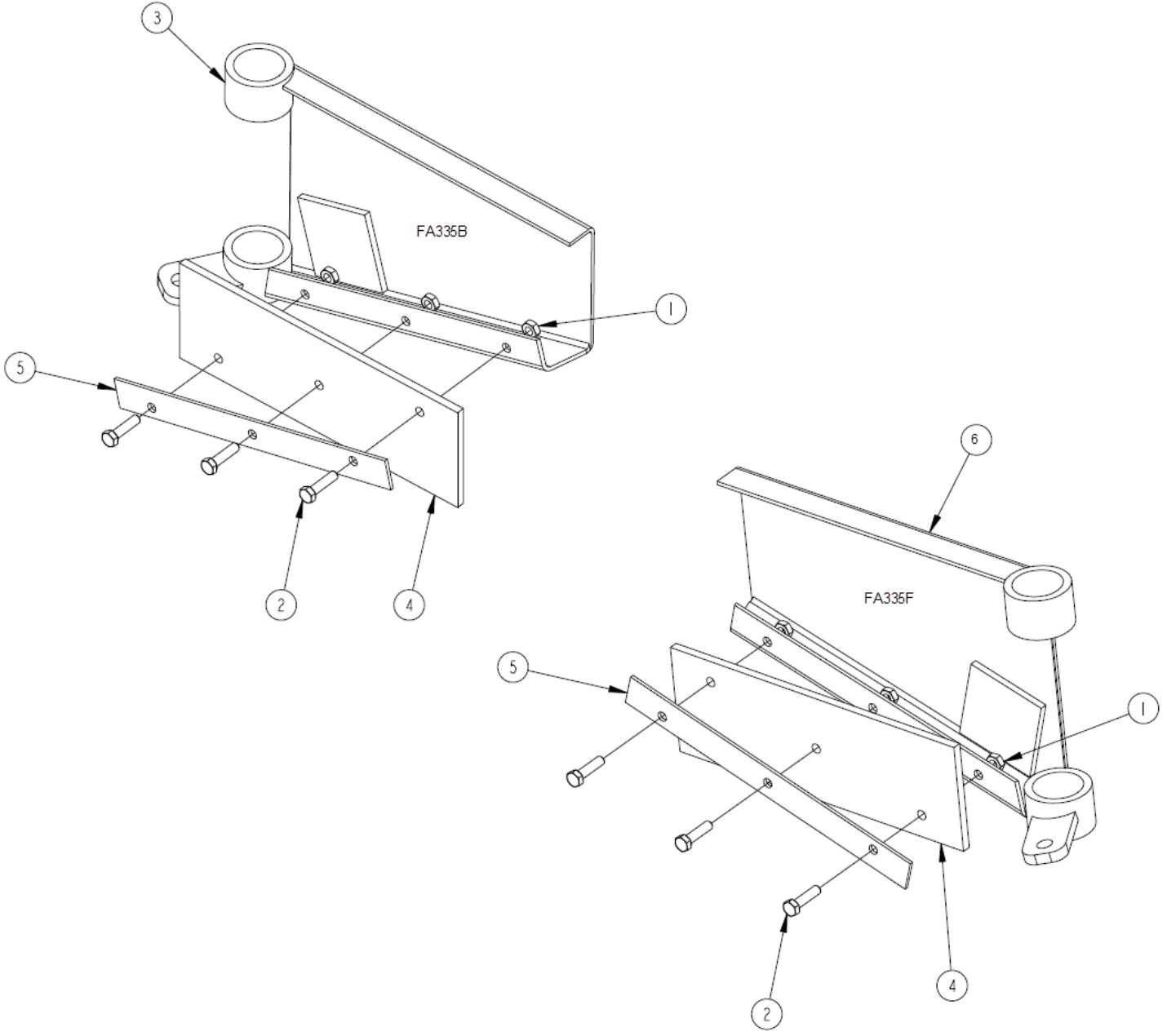


ITEM	P / N	DESCRIPTION
1	FA 001	SHIELD TIE, COMPLETE (FA002 IS RUBBER TIE ONLY)
2	TK 356	DECAL, FARM AID EQUIPMENT
5	TK 802	SHIELD, REAR DRIVE, RIGHT HAND
7	FA 8340	GUARD DRIVELINE TO REAR, MODEL 340
8	FA 8430	GUARD DRIVELINE TO REAR, MODEL 430
9	TK 356	DECAL, SPECIFY MODEL (250, 340,430)
10	FA 090L	LADDER
11	FA 358A	DECAL, "CAUTION: KEEP OFF WHEN RUNNING"
12	FA 358C	DECAL, "CAUTION: DO NOT OPERATE WITHOUT GUARDS IN PLACE"
13	FA 354	DOOR INDICATOR DECAL
14	FA 277	SPRING, DOOR INDICATOR
15	TK 353-43	DOOR INDICATOR BAR, TRUCK
16	FA 541C	CABLE CLAMP
17	FA 800	PULLEY, INDICATOR BAR
18	TK 011	FILTER BODY AND CARTRIDGE
19	TK 011-FILTER	CARTRIDGE, OIL FILTER
20	TK900-V	VALVE BODY WITH ELECTRONIC VALVES
21	TK900Dischargecontrol	ELEVATOR CONTROL MODULE
22	TK900Reelcontrol	REEL CONTROL MODULE

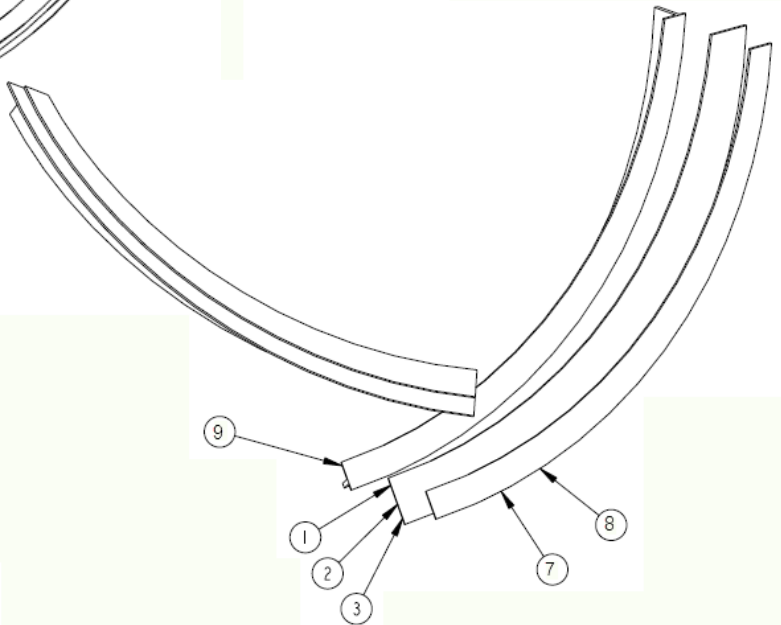
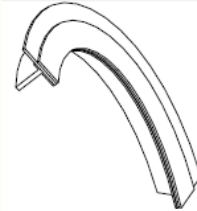
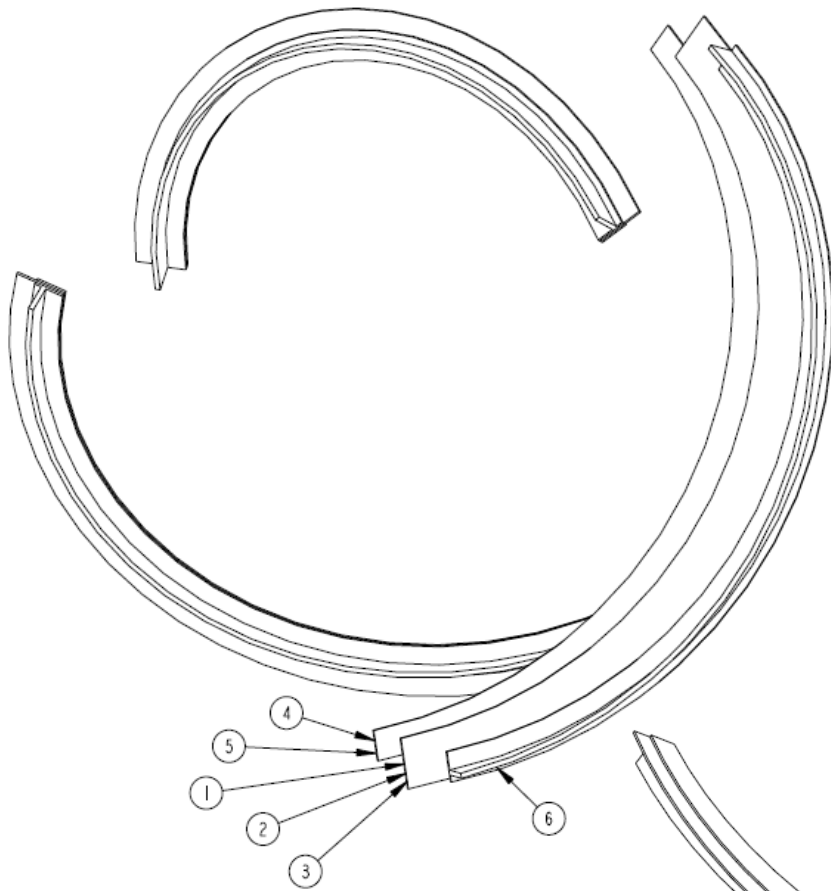


ITEM	P / N	DESCRIPTION
1	FA 335RGB	SPRING ROD GUIDE, BACK
1	FA 335RGF	SPRING ROD GUIDE, FRONT
2	FA 335P	KICKER MOUNTING PIPE WITH "FLAGS"
3	FA 335PC	KICKER MOUNTING PIPE CAP
4	FA 335KS	KICKER STOP
5	FA 817	MAIN SPIRAL GUSSET
6	FA 336	KICKER KEEPER
8	FA 824	340 SPIRAL SPECIFY LEFT
9	FA 825	430 SPIRAL SPECIFY LEFT
10	FA 335B	BACK KICKER 250-550 MODELS
11	FA 332C	COMPRESSION SPRING
12	FA 335F	FRONT KICKER 250-550 MODELS
13	FA335KC	KICKER CAP
14	FA 335SR	KICKER SPRING ROD
15	FA 820	2" SPOKE
16	FA 819	BRACE PIPE 1 1/4" x 27" (SPOKE TO CENTER PIPE)
17	FA 819KP	KICKER BRACE PIPE 1 1/4" x 24" (KICKER PIPE BRACE)

TRUCK

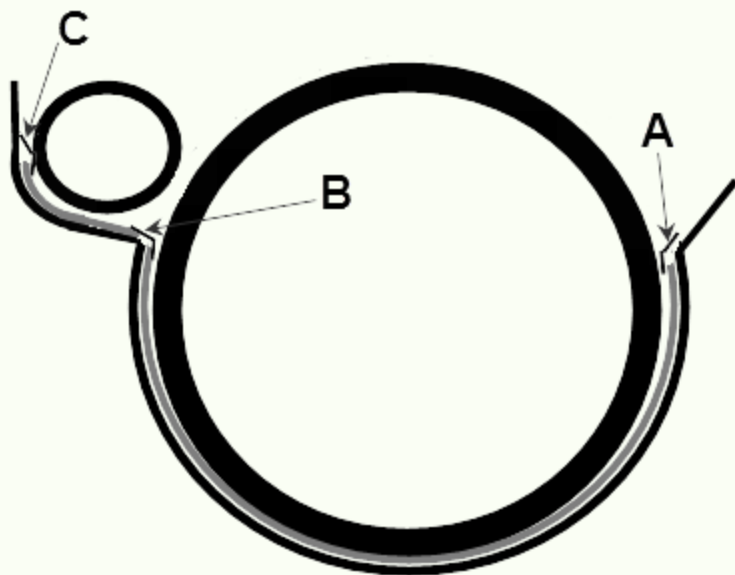


ITEM	PART NUMBER	DESCRIPTION
1	-----	5/16 18NC HEX NUT
2	-----	HEX HD BOLT, 5/16 18NC X 1.00
3	FA 335B	BRACK KICKER, COMPLETE W/BELTING
4	FA 335KB	KICKER BELT
5	FA335KS	BOLT STRAP, KICKER
6	FA 335F	FRONT KICKER, COMPLETE W/BELTING



<b>340 FRONT SPIRAL LENGTH</b>	<b>5.5'</b>
<b>340 REAR SPIRAL LENGTH</b>	<b>14.5'</b>
<b>430 FRONT SPIRAL LENGTH</b>	<b>7'</b>
<b>430 REAR SPIRAL LENGTH</b>	<b>20'</b>

ITEM	P / N	DESCRIPTION
2	FA 701B	SWEEP CLEAN BELT, 340 COMPLETE
3	FA 702B	SWEEP CLEAN BELT, 430 COMPLETE
4	FA 830FF	FRONT SPIRAL FACE MATERIAL, BY FT, RT
5	FA 830FF-H	FRONT SPIRAL FACE MATERIAL W / HOLES, BY FT, RT
6	FA 830FS	FRONT SPIRAL SUPPORT MATERIAL, BY FT, RT
7	FA 830BF	BACK SPIRAL FACE MATERIAL, BY FT,RT
8	FA 830BF-H	BACK SPIRAL FACE MATERIAL W / HOLES, BY FT,RT
9	FA 830BS	BACK SPIRAL SUPPORT MATERIAL, BY FT, RT



STRIP SIZE CHART			
MODEL	A	B	C
340 front	71.5*	20.5	71.5
340 middle	-	62.5**	-
340 back	71.5*	23.5	70.5
430 front	71.5*	29.5	71.5
430 middle	71.5	89.5**	71.5
430 back	35.5*	23.5	34.5

•End mounting hole backset 5”

•\*\* use angle FA 7410. Before ordering FA7410 please measure the distance from the end of the auger trough to the two top rear bolts on this part. If not 2” and 17” please call the factory for a special part.

	P / N	DESCRIPTION
	FA732KR	340 POLY FLOOR LINER KIT
	FA732APR	340 POLY AUGER LINER KIT
	FA732-1R	340 FRONT POLY FLOOR LINER
	FA732-2R	340 CENTER POLY FLOOR LINER
	FA732-3R	340 BACK POLY FLOOR LINER
	FA733KR	430 POLY FLOOR LINER KIT
	FA733APR	430 POLY AUGER LINER KIT
	FA733-1R	430 FRONT POLY FLOOR LINER
	FA733-2R	430 2ND POLY FLOOR LINER
	FA733-3R	430 3RD POLY FLOOR LINER
	FA733-4R	430 BACK POLY FLOOR LINER
A/C	FA 7210	2” STRIP, (SOLD BY FOOT) PLEASE SEE CHART ABOVE
B	FA 7410	2” ANGLE, (SOLD BY FOOT) PLEASE SEE CHART ABOVE
	FA757	CARRIAGE BOLT (340-Qt 50; 430-Qt 58---40 for floor only)
	FA756B	ELEVATOR BOLT ( 340-Qt 53; 430-Qt 64)
	FA754	TORX SCREW 1/4 X 1-1/2 (340-Qt 5; 430-Qt 6)